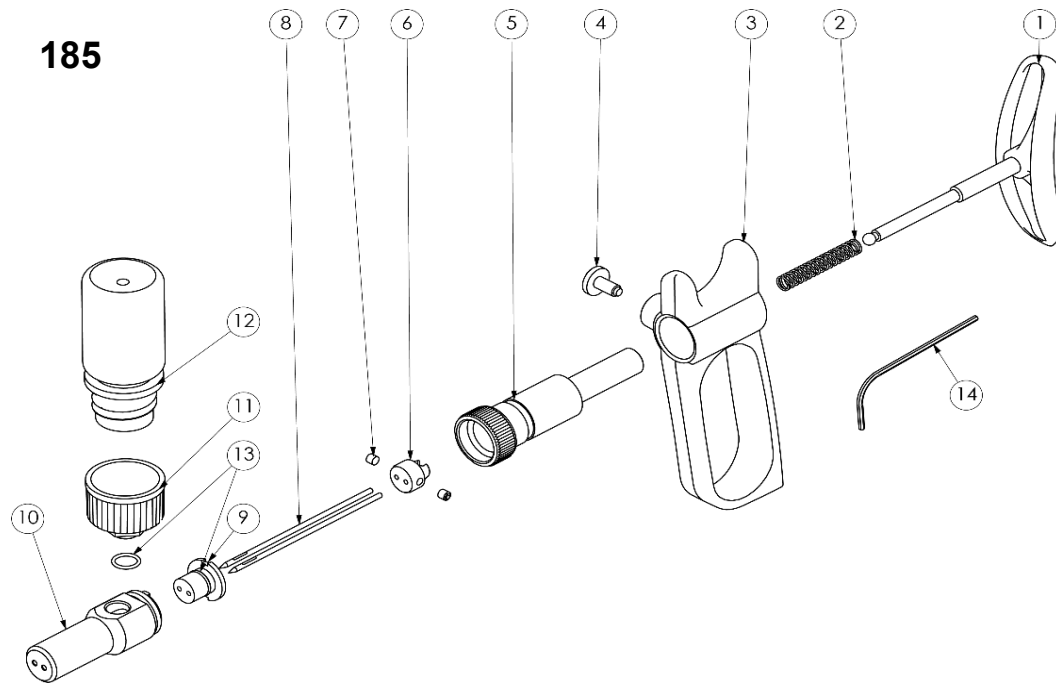


Exploded drawing



| Draw ref.         | Cat. No. | Description   | Comment              |
|-------------------|----------|---|----------------------|
| <b>Group 9410</b> |          | <b>Spare-parts for fowl pox syringe <i>fullpox</i>™ 185</b> |                      |
| # 01              | 185.970  | Pusher rod  |                      |
| # 02              | 185.751  | Spring  | stainless steel      |
| # 03              | 187.560  | Handle  | blue colour          |
| # 04              | 187.701  | Handle screw  | brass                |
| # 05              | 185.521  | Socket  | stainless steel      |
| # 06              | 185.513  | Needle holder   | stainless steel      |
| # 07              | 185.901  | Needle screws (2 pces)                                      | stainless steel      |
| # 08              | 185.902  | Needles (2 pces)  | stainless steel      |
|                   | 185.910  | Needles (10 pces)   | stainless steel      |
| # 09              | 185.721  | Barrel cap  | POM / FKM            |
| # 10              | 185.501  | Barrel  | stainless steel      |
| # 11              | 185.788  | Bottle holder   | PP / stainless steel |
| # 12              | 185.987  | Bottle with original cap                                    | PP                   |
| # 13              | 185.951  | Bottle holder and barrel cap O-ring (10 pces)               | FKM                  |
| # 14              | 841.704  | Allen key 1.5 mm  | steel                |